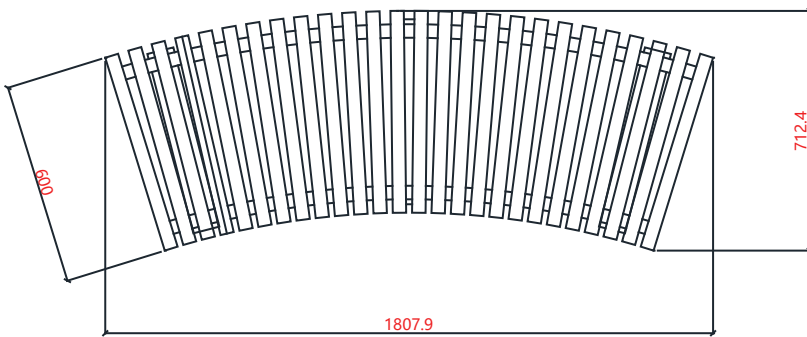
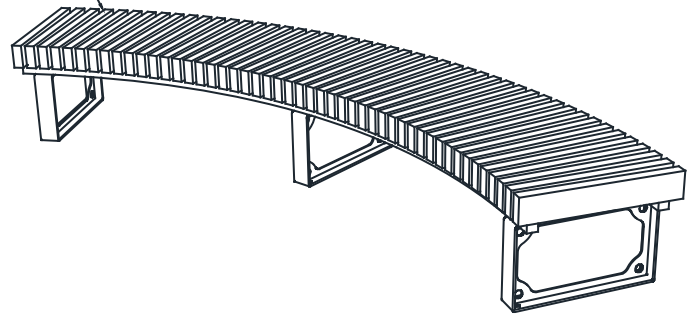


Model no: CAB-602 (6')

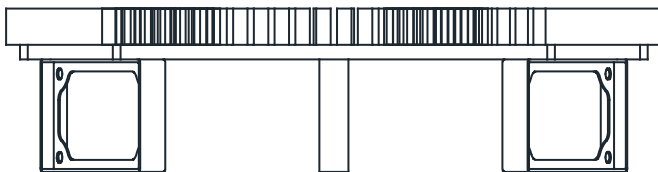
Material: Constructed with HDPE Recycled Plastic Lumber and Galvanized Steel Frame
Finish: Steel components are electrocoated with anti-corrosion treatment, and finished with UV resistant Canaan 5 Steps Powder Coating electrostatically
Installation: Surface mounted: holes are pre-drilled in each foot for securing to base
Option: Powdercoat color and Recycled Plastic Lumber color
 Customizable length and arc

Dimensions: Height: 17.7" / 450mm
 Width: 23.6" / 600mm
 Length: 71.2" / 1808mm (Linear)
 70.9" / 1800mm (Arc)

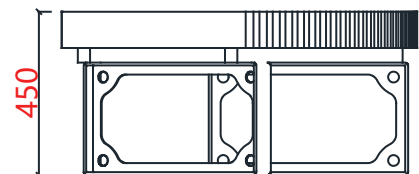
40*90mm Slat



Top View



Front View



Side View

Proprietary and confidential

All the information contained in this drawing is the property of Canaan Inc. Reproduction of the drawing in whole or in part is prohibited without the written consent of Canaan Inc. Copyright © 2017 Canaan Inc. All rights reserved.

Unless otherwise specified

All measurements are in mm; all measurements are also preliminary and may vary from final plans. We reserve the right to improve, alter or discontinue specifications without notice.

