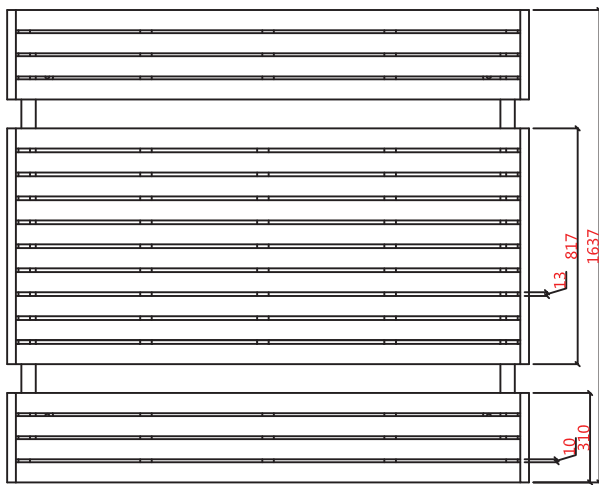


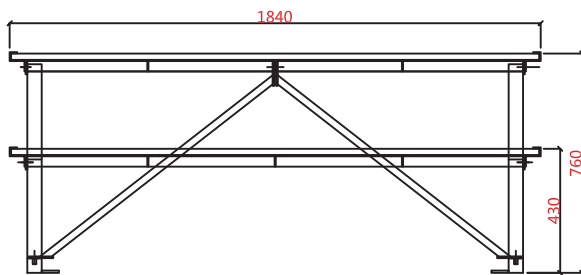
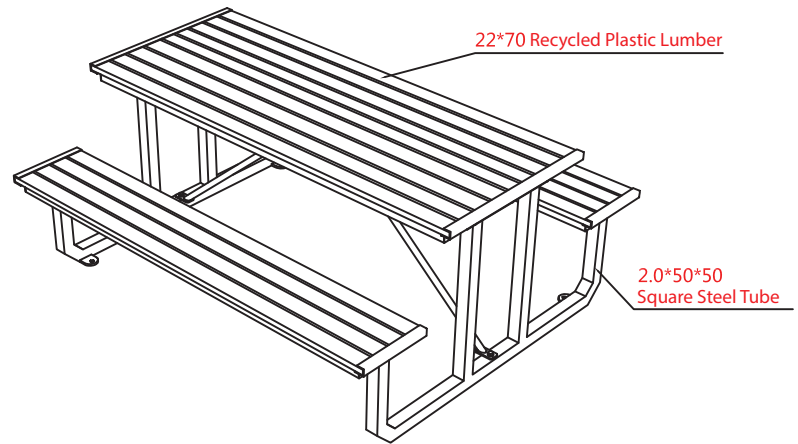
Model no: CAT-030

Material: Constructed with recycled plastic lumber and framed with galvanized steel
Finish: Steel components are electrocoated with anti-corrosion treatment, and finished with UV resistant Canaan 5 Steps Powder Coating electrostatically
Installation: Surface mounted: holes are pre-drilled in each foot for securing to base
Specification: Choice of powdercoat color

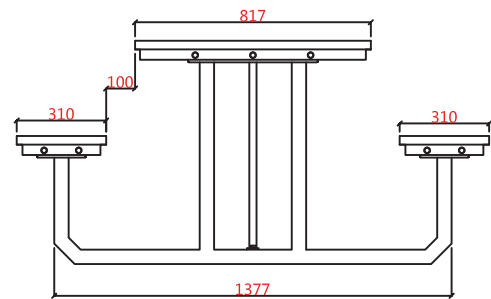
Dimensions: Height: 29.9" / 760 mm
 Width: 64.4" / 1637 mm
 Length: 72" / 1840 mm
 Weight: 90 kg / 198.4 lbs




Top View



Front View



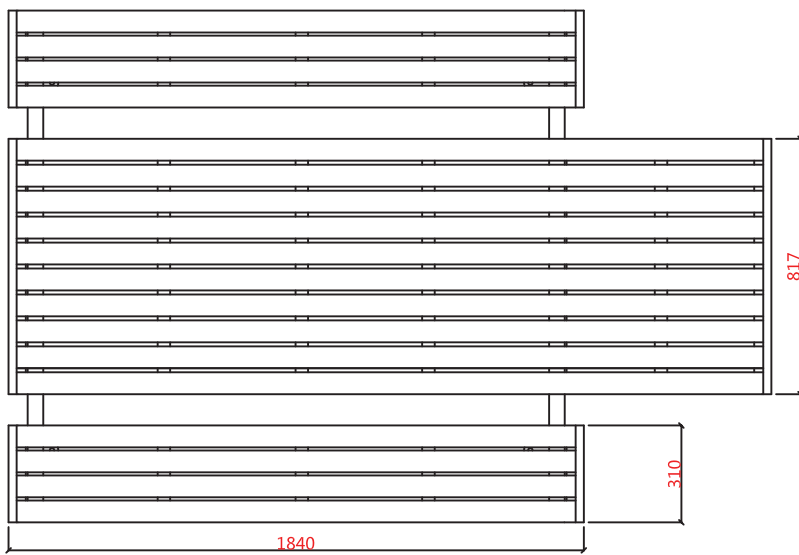
Side View

Proprietary and confidential	Unless otherwise specified	
All the information contained in this drawing is the property of Canaan Inc. Reproduction of the drawing in whole or in part is prohibited without the written consent of Canaan Inc. Copyright © 2017 Canaan Inc. All rights reserved.	All measurements are in mm; all measurements are also preliminary and may vary from final plans. We reserve the right to improve, alter or discontinue specifications without notice.	

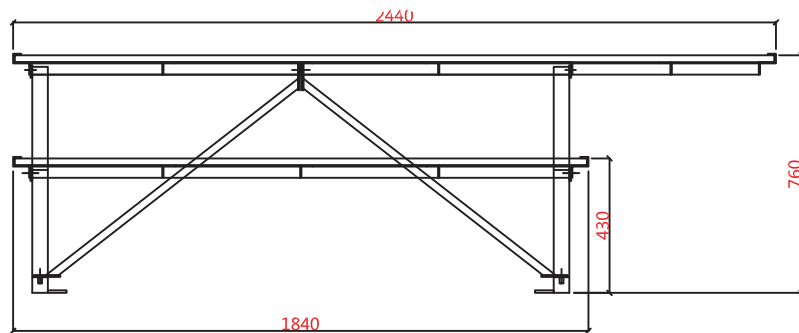
Model no: CAT-030 (ADA)

Material: Constructed with recycled plastic lumber and framed with galvanized steel
Finish: Steel components are electrocoated with anti-corrosion treatment, and finished with UV resistant Canaan 5 Steps Powder Coating electrostatically
Installation: Surface mounted: holes are pre-drilled in each foot for securing to base
Specification: Choice of powdercoat color

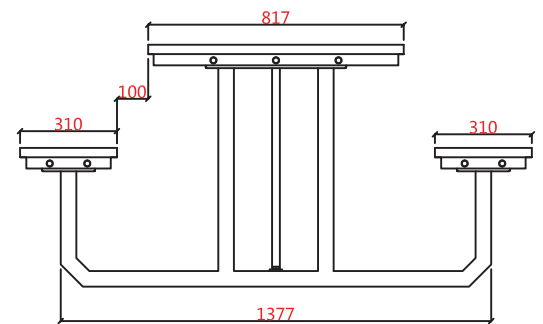
Dimensions: Height: 29.9" / 760 mm
 Width: 64.4" / 1637 mm
 Length: 96.1" / 2440 mm




Top View



Front View



Side View

Proprietary and confidential	Unless otherwise specified	
All the information contained in this drawing is the property of Canaan Inc. Reproduction of the drawing in whole or in part is prohibited without the written consent of Canaan Inc. Copyright © 2017 Canaan Inc. All rights reserved.	All measurements are in mm; all measurements are also preliminary and may vary from final plans. We reserve the right to improve, alter or discontinue specifications without notice.	