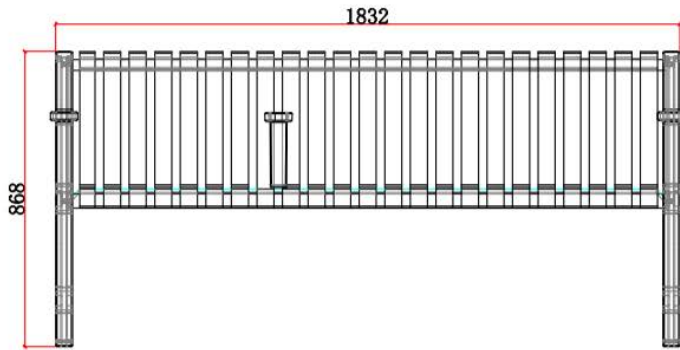


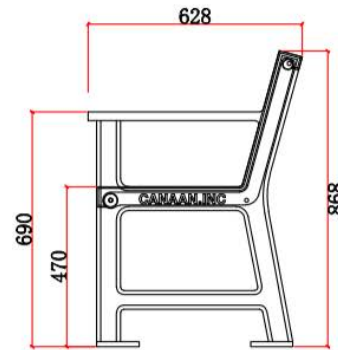
Model no: CAL-710

Material: Constructed with powder-coated steel and cast aluminum ends. Metal components are electrocoated with anti-corrosion UV resistant powder coating finish.
Finish: components are electrocoated with anti-corrosion UV resistant powder coating finish.
Installation: Surface mounted: holes are pre-drilled in each foot for securing to base.
Specification: Choice of powdercoating colors and recycled plastic slats colors.
Options: Memorial plaques are available.

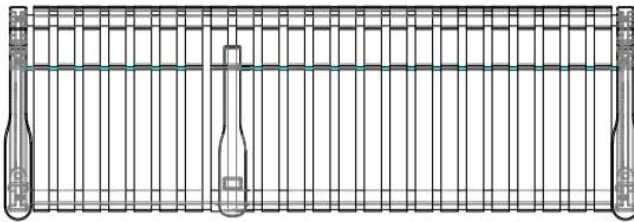
Dimensions: Length: 72" / 1832 mm
 Width: 24.7" / 628 mm
 Height: 34.2" / 868 mm
 Weight: 176 lbs. / 80 kg



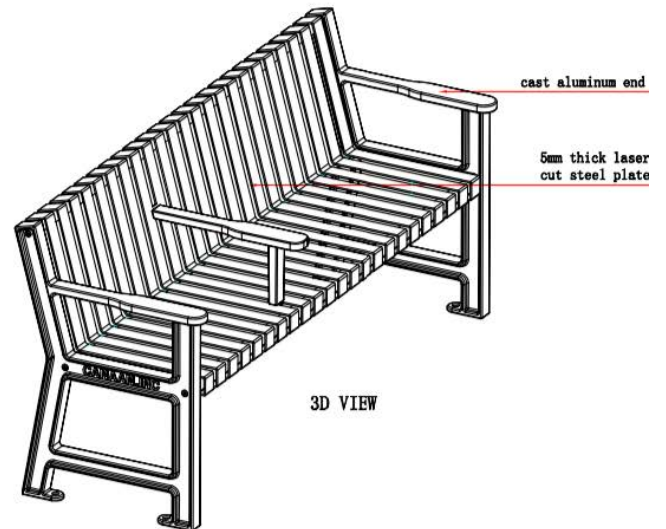
FRONT VIEW



SIDE VIEW



OVER VIEW



3D VIEW

| | | |
|--|--|--|
| <p>Proprietary and confidential</p> | <p>Unless otherwise specified</p> | |
| <p>All the information contained in this drawing is the property of Canaan Inc. Reproduction of the drawing in whole or in part is prohibited without the written consent of Canaan Inc. Copyright © 2016 Canaan Inc. All rights reserved.</p> | <p>All measurements are in mm; all measurements are also preliminary and may vary from final plans. We reserve the right to improve, alter or discontinue specifications without notice.</p> | |