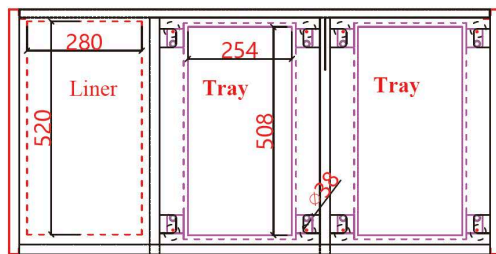


Model no: CRC-820

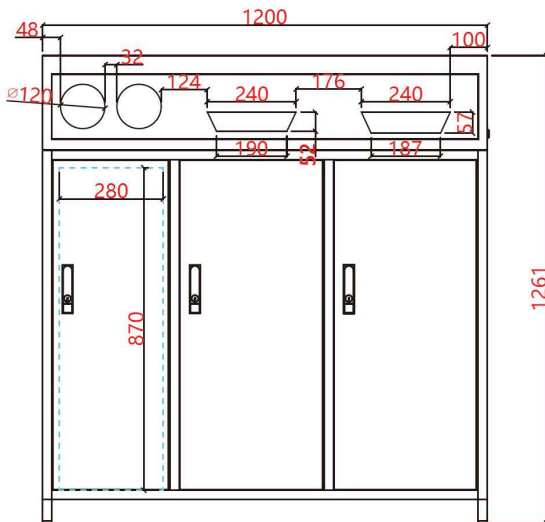
- Material:** Constructed with stainless steel top and powder-coated steel
Liner: Commercial grade galvanized steel liner
Finish: Steel components are electrocoated with anti-corrosion treatment, and finished with UV resistant Canaan 5 Steps Powder Coating electrostatically
Installation: Delivered pre-assembled and surface mounted: holes are pre-drilled in each foot for securing to base
Specification: Choice of powdercoat color
Dimensions: Length: 47.2" / 120cm
 Width: 23.6" / 60cm
 Height: 49.6" / 126cm
 Capacity: 33 Gal.



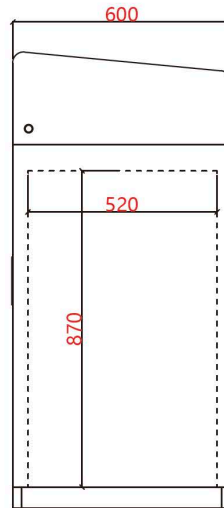
Interior



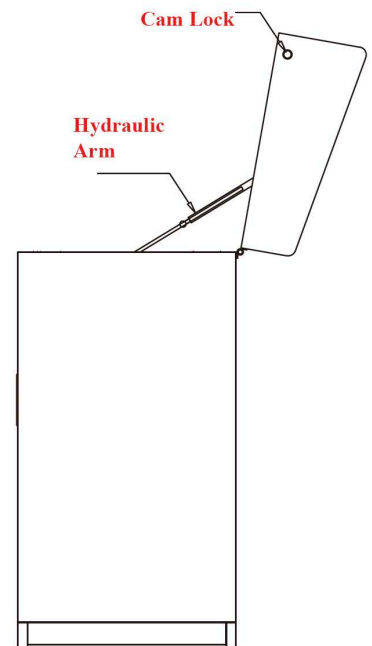
Removable
Stainless
Steel Plaque



Front View



Side View



Hydraulic
Arm

Cam Lock

All rights reserved Canaan Site Furnishings. All drawings, specifications, design and details on this page remain the property of Canaan Site Furniture Inc. and may not be used without Canaan authorization. We reserve the right to improve, alter or discontinue specifications without notice.
 *All measurements are in mm unless otherwise stated; all measurements are also preliminary and may vary from final plans;
 **The color representations above may deviate from the actual color due to variations of printers

CANAAN
site furnishings

Proprietary and confidential

All the information contained in this drawing is the property of Canaan Inc. Reproduction of the drawing in whole or in part is prohibited without the written consent of Canaan Inc. Copyright © 2019 Canaan Inc. All rights reserved.

Unless otherwise specified

All measurements are in mm; all measurements are also preliminary and may vary from final plans. We reserve the right to improve, alter or discontinue specifications without notice.

