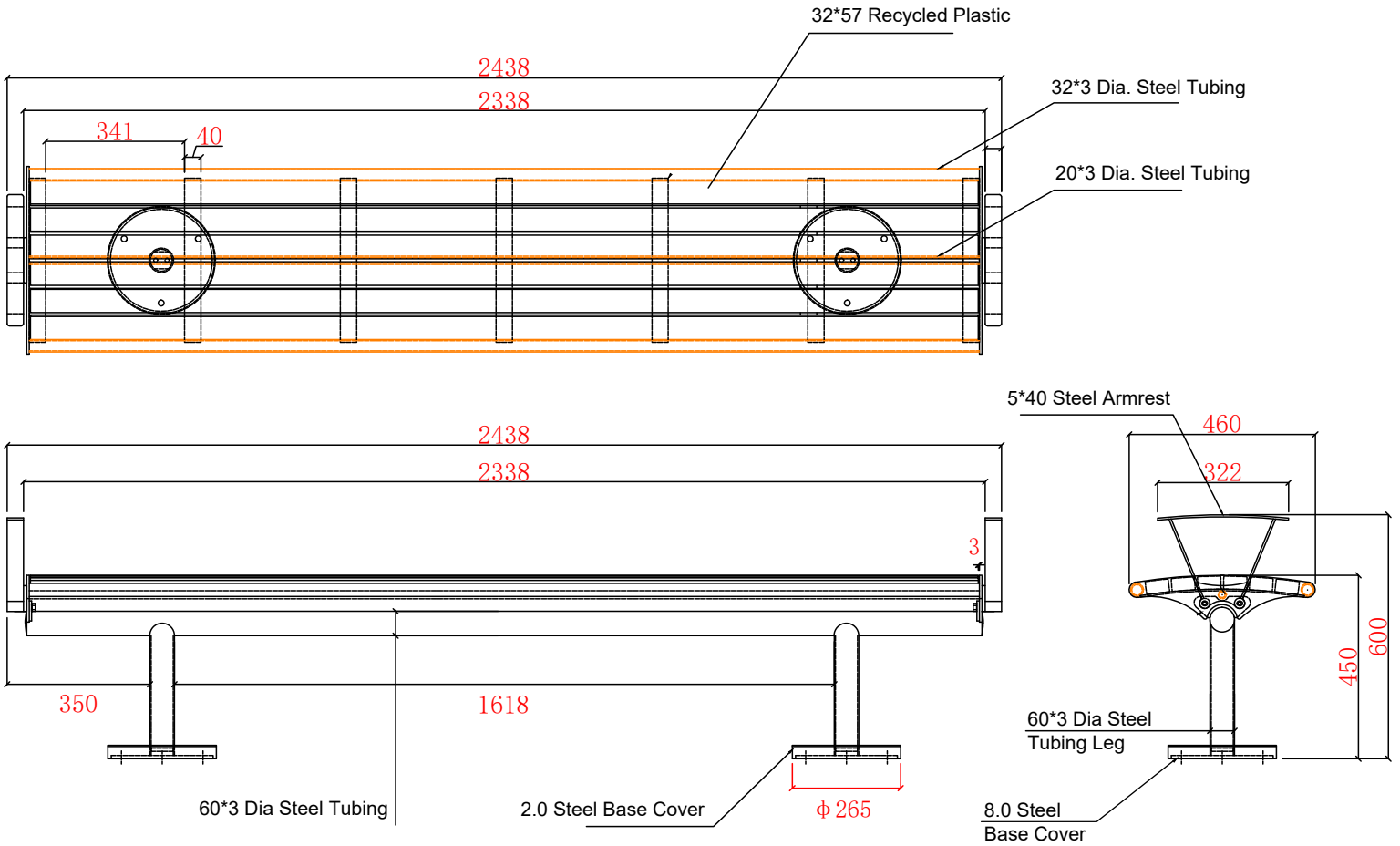
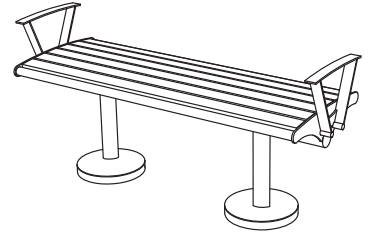



Model no: CAB-870B-8

- Material:** Constructed with 100% recycled plastic wood and framed with galvanized steel
- Finish:** Steel components are electrocoated with anti-corrosion treatment, and finished with UV resistant Canaan 5 Steps Powder Coating electrostatically
- Installation:** Surface mounted: holes are pre-drilled in each foot for securing to base
10*100 Steel sleeve anchors included
- Specification:** Choice of powdercoat and recycled plastic color
- Dimensions:** Length: 96" / 2438 mm
Width: 18.1" / 460 mm
Height: 23.6" / 600 mm
Weight: 132 lbs / 60kg



Proprietary and confidential	Unless otherwise specified	
All the information contained in this drawing is the property of Canaan Inc. Reproduction of the drawing in whole or in part is prohibited without the written consent of Canaan Inc. Copyright © 2015 Canaan Inc. All rights reserved.	All measurements are in mm; all measurements are also preliminary and may vary from final plans. We reserve the right to improve, alter or discontinue specifications without notice.	