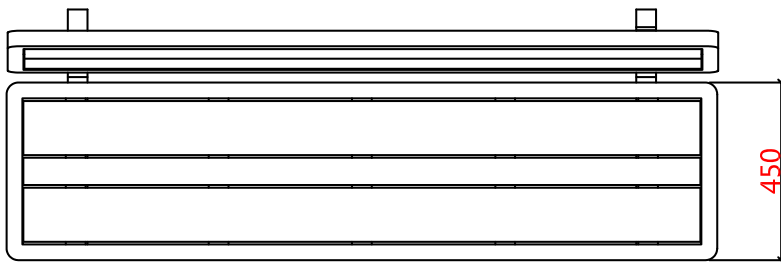
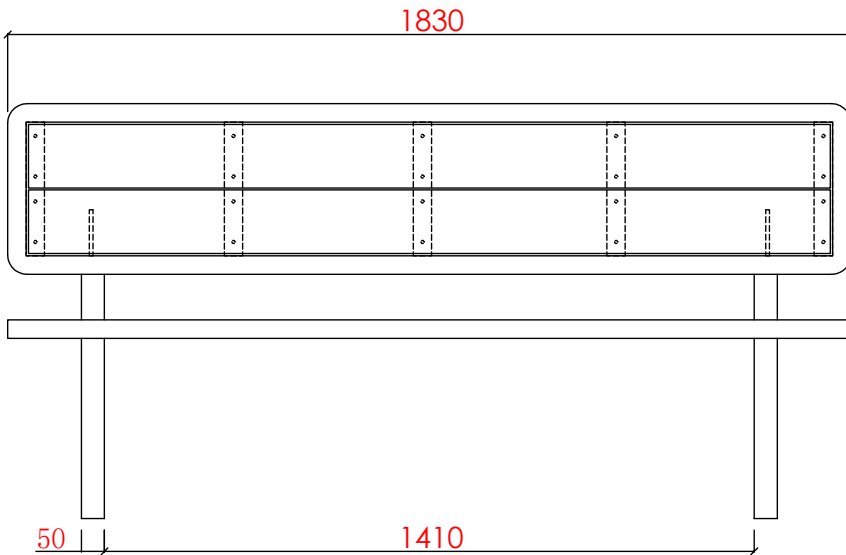


Model no: CAB-821

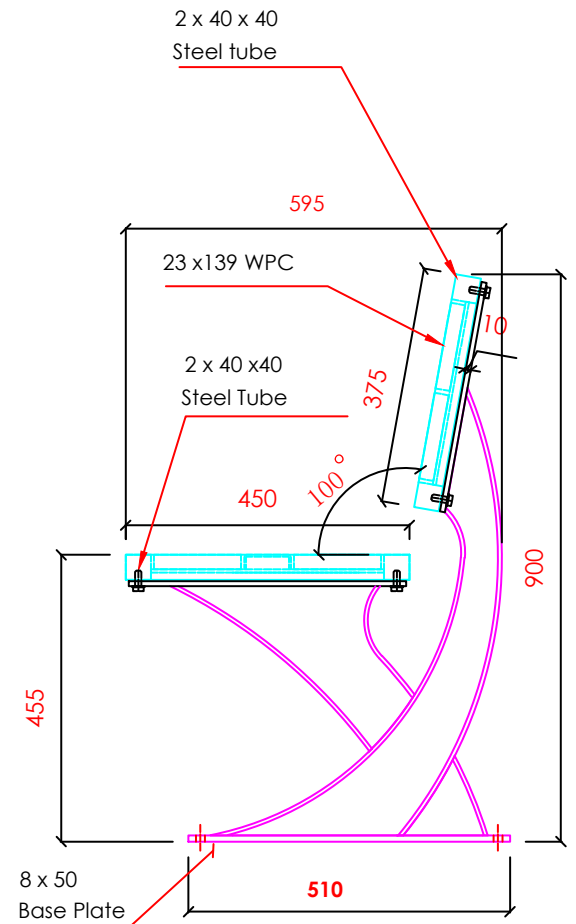
- Material:** Constructed with 100% HDPE Wood-Plastic Composite and framed with galvanized steel
- Finish:** Steel components are electrocoated with anti-corrosion treatment and finished with UV resistant Canaan 5 Steps Powder Coating electrostatically
- Installation:** Surface mounted: holes are pre-drilled on each foot for securing to base
- Specification:** Choice of Powdercoat color
Choice of Recycled Plastic Lumber color
- Options:** Centre / Side arm rests
Stainless steel memorial plaque
- Dimensions:** Length: 72.04" / 1830 mm
Width: 23.4" / 595 mm
Height: 35.4" / 900 mm
Weight: 183 lbs. / 83 kg




Top View



Front View



Side View

Proprietary and confidential	Unless otherwise specified	
<p>All the information contained in this drawing is the property of Canaan Inc. Reproduction of the drawing in whole or in part is prohibited without the written consent of Canaan Inc. Copyright © 2017 Canaan Inc. All rights reserved.</p>	<p>All measurements are in mm; all measurements are also preliminary and may vary from final plans. We reserve the right to improve, alter or discontinue specifications without notice.</p>	