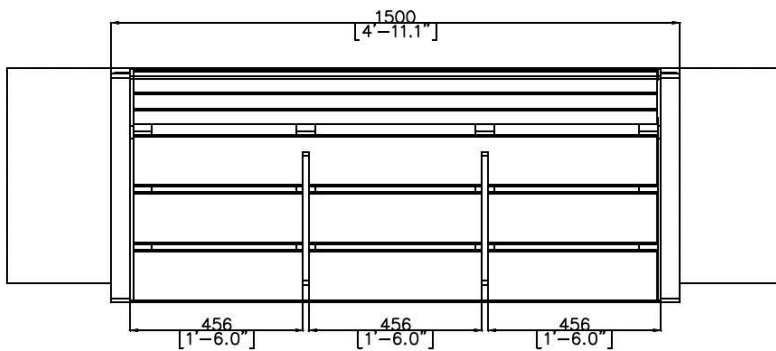
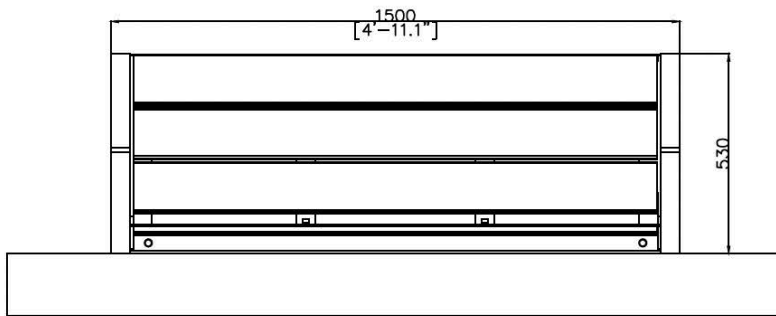


## Metro Bench CAB872-C

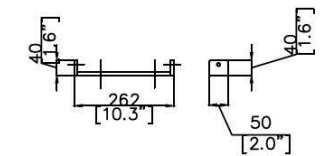
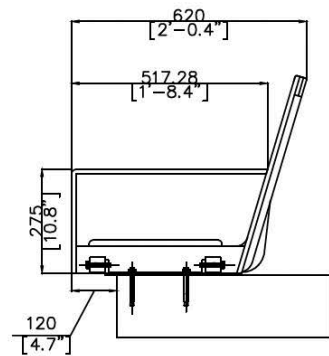
- Material:** Constructed with Wood-Plastic Composite and framed with galvanized steel
- Finish:** Steel components are electrocoated with anti-corrosion treatment and finished with UV resistant Canaan 5 Steps Powder Coating electrostatically
- Installation:** Surface mounted: holes are pre-drilled on each foot for securing to base
- Specification:** Choice of Powdercoat color  
Choice of Wood-Plastic Composite color
- Options:** Centre / Side arm rests  
Metal Straps on seat
- Dimensions:** Length: 59.1" / 150 cm  
Height: 20.87" / 53 cm  
Width: 24.4" / 62 cm



Top View




Front View



Mounting Bracket Details

Side View

Proprietary and confidential	Unless otherwise specified	
<p>All the information contained in this drawing is the property of Canaan Inc. Reproduction of the drawing in whole or in part is prohibited without the written consent of Canaan Inc. Copyright © 2024 Canaan Inc. All rights reserved.</p>	<p>All measurements are in mm; all measurements are also preliminary and may vary from final plans. We reserve the right to improve, alter or discontinue specifications without notice.</p>	