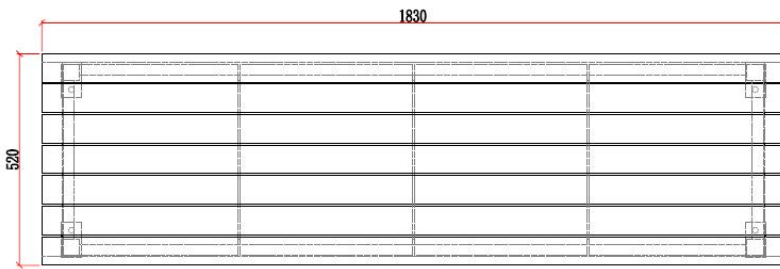


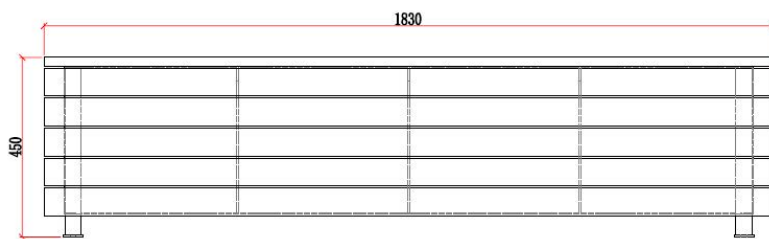
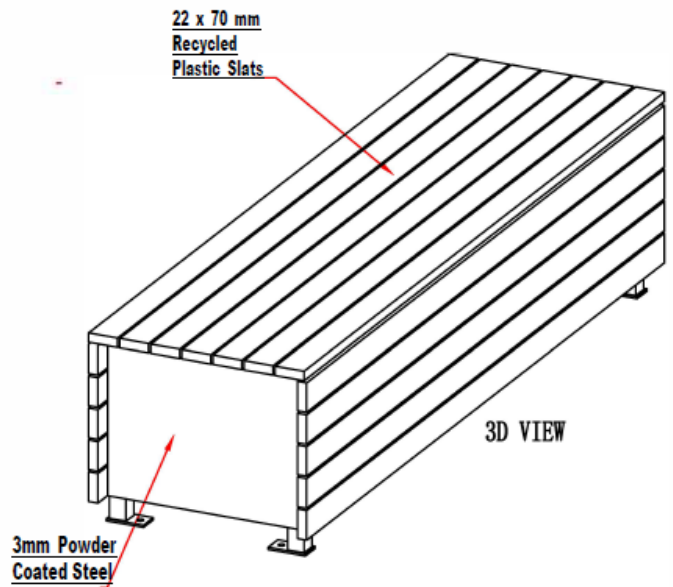
Model no: CAB-603 (6')

Material: Constructed with 100% Recycled Plastic Lumber and Galvanized Steel Frame
Finish: Steel components are electro coated with anti-corrosion treatment, and finished with UV resistant Canaan 5 Steps Powder Coating electro statically
Installation: Surface mounted: holes are pre-drilled in each foot for securing to base
Option: Powder coat and lumber colors
 Customizable length

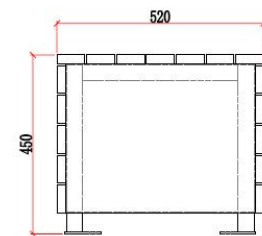
Dimensions: Length: 72" / 1830mm
 Width: 20.5" / 520mm
 Height: 17.7" / 450mm




Top View



Front View



Side View

Proprietary and confidential	Unless otherwise specified	
All the information contained in this drawing is the property of Canaan Inc. Reproduction of the drawing in whole or in part is prohibited without the written consent of Canaan Inc. Copyright © 2017 Canaan Inc. All rights reserved.	All measurements are in mm; all measurements are also preliminary and may vary from final plans. We reserve the right to improve, alter or discontinue specifications without notice.	