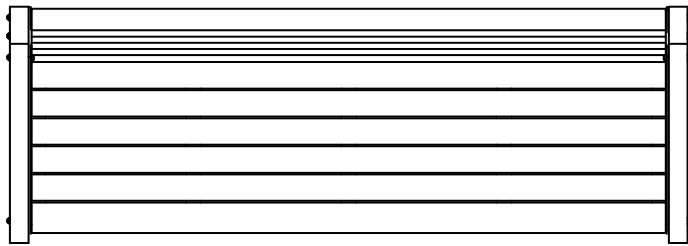


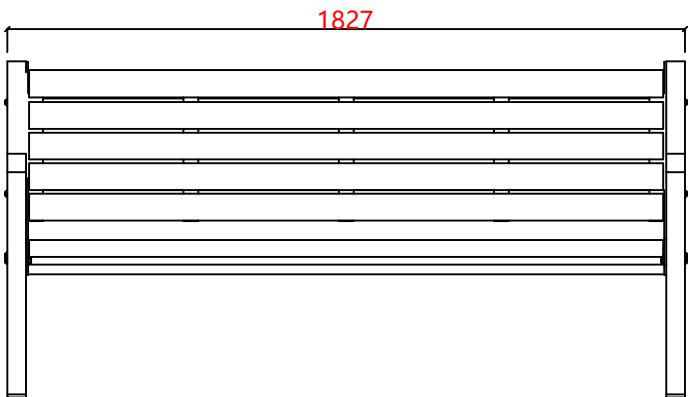
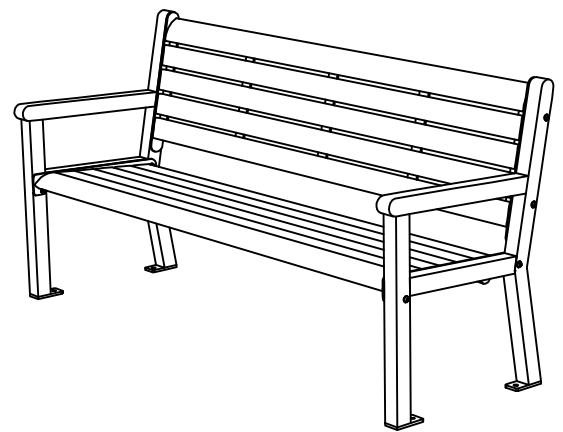
Model no: CAB-703

Material: Constructed with 100% recycled plastic wood and framed with galvanized steel
 Finish: Steel components are electrocoated with anti-corrosion treatment, and finished with UV resistant Canaan 5 Steps Powder Coating electrostatically
 Installation: Surface mounted: holes are pre-drilled in each foot for securing to base
 Specification: Choice of powdercoat for steel component and recycled plastic wood color
 Options: Stainless steel memorial plaque available

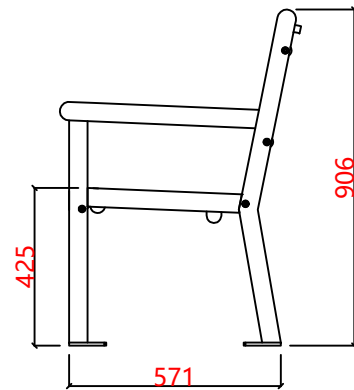
Dimensions: Length: 71.9" / 1827 mm
 Width: 22.5" / 571 mm
 Height: 35.6" / 906 mm
 Weight: 145.2 lbs. / 66 kg



Top View



Front View



Side View

Proprietary and confidential

All the information contained in this drawing is the property of Canaan Inc. Reproduction of the drawing in whole or in part is prohibited without the written consent of Canaan Inc. Copyright © 2016 Canaan Inc. All rights reserved.

Unless otherwise specified

All measurements are in mm; all measurements are also preliminary and may vary from final plans. We reserve the right to improve, alter or discontinue specifications without notice.

