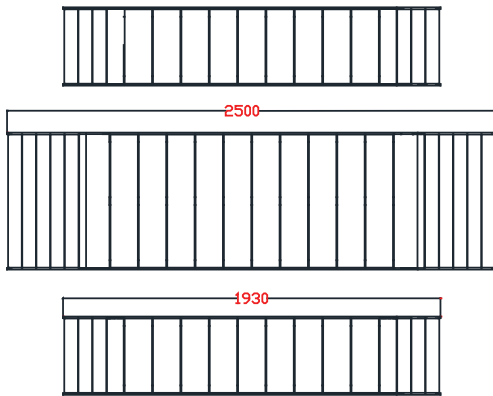
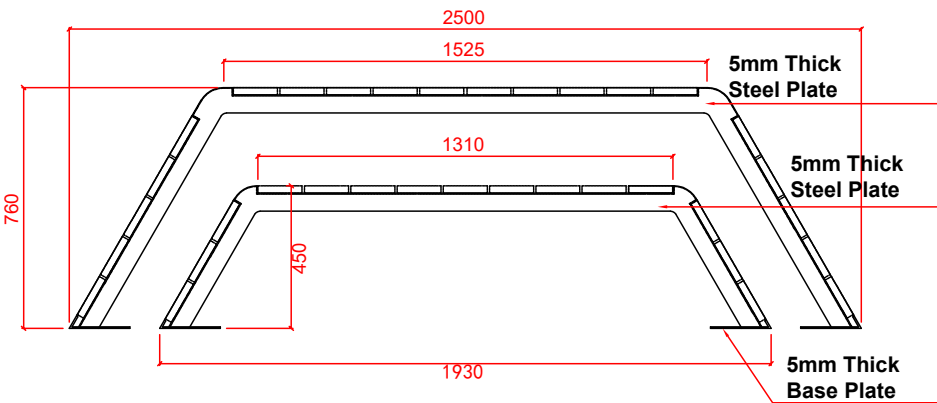
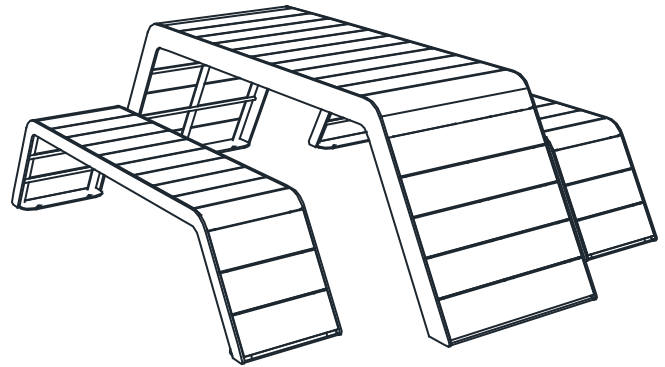


Model no: CAT-028

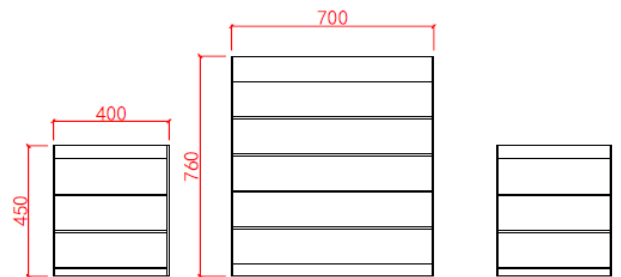
- Material:** Constructed with Galvanized Steel with Wood Plastic Composite
- Finish:** Steel components are electrocoated with anti-corrosion treatment, and finished with UV resistant Canaan 5 Steps Powder Coating electrostatically
- Installation:** Free Standing or Surface mounted: holes are pre-drilled in each foot for securing to base
- Specification:** Choice of powdercoat color
Choice of recycled plastic lumber color
- Dimensions:** Table Height: 29.9" / 760 mm Bench Height: 17.7" / 450 mm
Table Width: 27.6" / 700 mm Bench Width: 15.8" / 400 mm
Table Length: 98.4" / 2500 mm Bench Length: 76.0" / 1930 mm



Top View



Front View



Side View

Proprietary and confidential

All the information contained in this drawing is the property of Canaan Inc. Reproduction of the drawing in whole or in part is prohibited without the written consent of Canaan Inc. Copyright © 2017 Canaan Inc. All rights reserved.

Unless otherwise specified

All measurements are in mm; all measurements are also preliminary and may vary from final plans. We reserve the right to improve, alter or discontinue specifications without notice.

