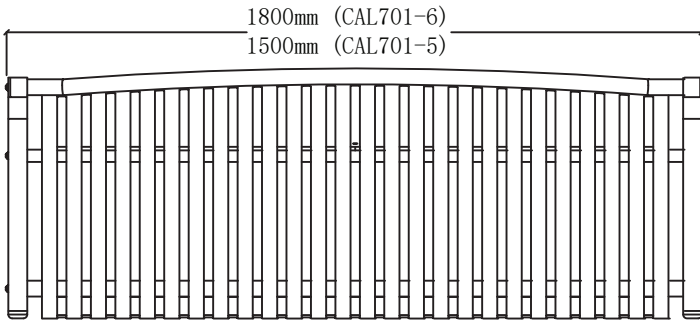
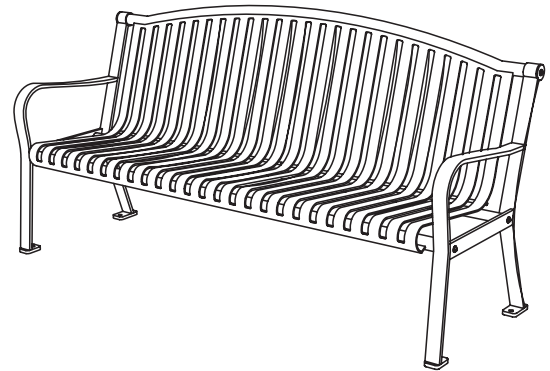


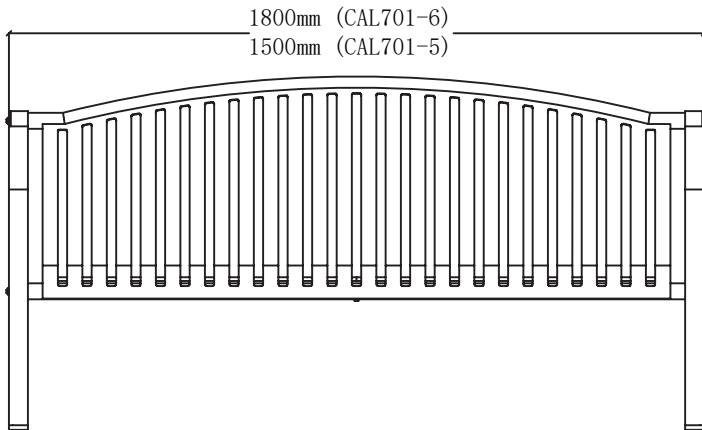
Model no: CAL-701

- Material:** Constructed with galvanized steel flat bar and H.S. steel tubing
- Finish:** Steel components are electrocoated with anti-corrosion treatment, and finished with UV resistant Canaan 5 Steps Powder Coating electrostatically
- Installation:** Surface mounted: holes are pre-drilled in each foot for securing to base
- Specification:** Choice of powdercoat color
- Options:** Stainless steel memorial plaque and center arm available

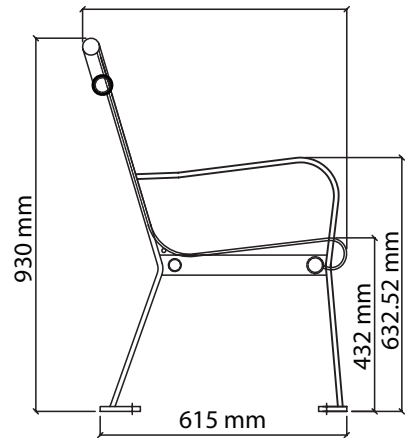
- Dimensions:** Length: 60" / 1500 mm (CAL701-5)
72" / 1830 mm (CAL701-6)
- Width: 24.2" / 615 mm
- Height: 36.6" / 930 mm




Top View



Front View



Side View

Proprietary and confidential	Unless otherwise specified	
<p>All the information contained in this drawing is the property of Canaan Inc. Reproduction of the drawing in whole or in part is prohibited without the written consent of Canaan Inc. Copyright © 2021 Canaan Inc. All rights reserved.</p>	<p>All measurements are in mm; all measurements are also preliminary and may vary from final plans. We reserve the right to improve, alter or discontinue specifications without notice.</p>	