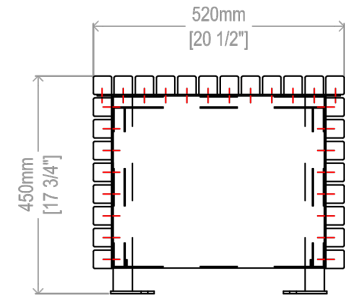


Top View



Side View

Length: 72" / 1830 mm Width: 20 1/2" / 520 mm Height: 17 3/4" / 450 mm

Materials:

Constructed with 100% Recycled Plastic Wood and framed with Galvanized steel frame.

Finish:

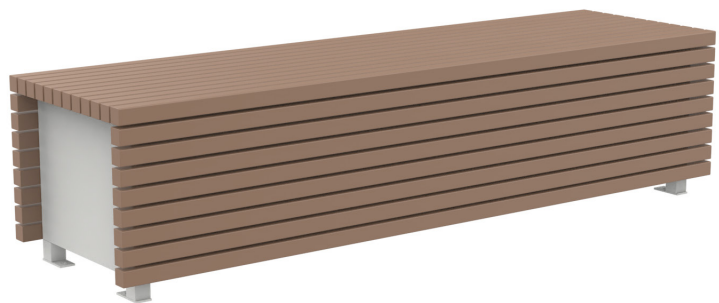
Steel components are electrocoated with anti-corrosion treatment and finished with UV resistant Canaan 5 Steps Powder Coating electrostatically.

Installation:

Surface mounted: holes are pre-drilled on each foot for securing to base.

Options:

- Recycled Plastic Lumber options Backrest
- Wood-Plastic Composite options Perforation patterns
- Powdercoat color Additional armrests



Proprietary and confidential

All the information contained in this drawing is the property of Canaan Inc. Reproduction of the drawing in whole or in part is prohibited without the written consent of Canaan Inc. Copyright © 2016 Canaan Inc. All rights reserved.

Unless otherwise specified

All measurements are in mm; all measurements are also preliminary and may vary from final plans. We reserve the right to improve, alter or discontinue specifications without notice.

TF: 1-877-305-6638
Fax: 1-866-806-2355
Email: info@canaansf.com
www.canaansitefurnishings.com