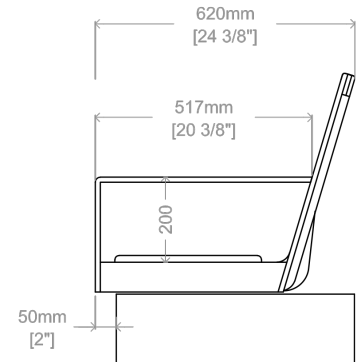


Front View



Side View

Length: 59" / 1500 mm    Width: 24 3/8" / 620 mm    Height: 20 7/8" / 530 mm    Weight: 161 lbs. / 73 kg

**Materials:**

Constructed with Wood-Plastic Composite and framed with galvanized steel.

**Finish:**

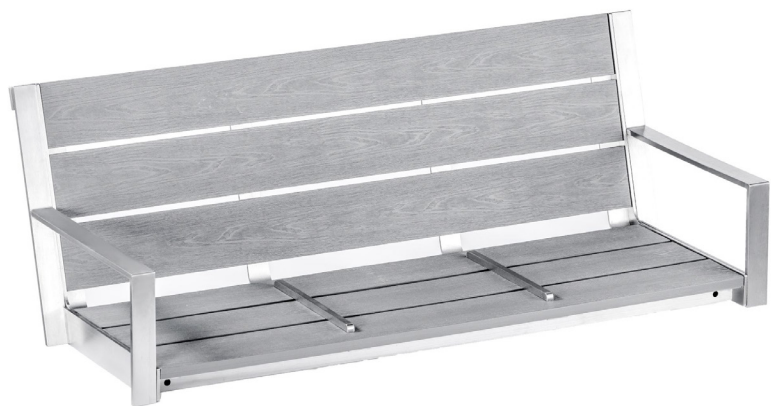
Steel components are electrocoated with anti-corrosion treatment and finished with UV resistant Canaan 5 Steps Powder Coating electrostatically.

**Installation:**

Surface mounted: holes are pre-drilled on each foot for securing to base.

**Options:**

- Recycled Plastic Lumber options       Backless
- Wood-Plastic Composite options       Memorial plaque
- Powdercoat color       Additional armrests



**Proprietary and confidential**

All the information contained in this drawing is the property of Canaan Inc. Reproduction of the drawing in whole or in part is prohibited without the written consent of Canaan Inc. Copyright © 2016 Canaan Inc. All rights reserved.

**Unless otherwise specified**

All measurements are in mm; all measurements are also preliminary and may vary from final plans. We reserve the right to improve, alter or discontinue specifications without notice.

TF: 1-877-305-6638  
Fax: 1-866-806-2355  
Email: info@canaansf.com  
www.canaansitefurnishings.com