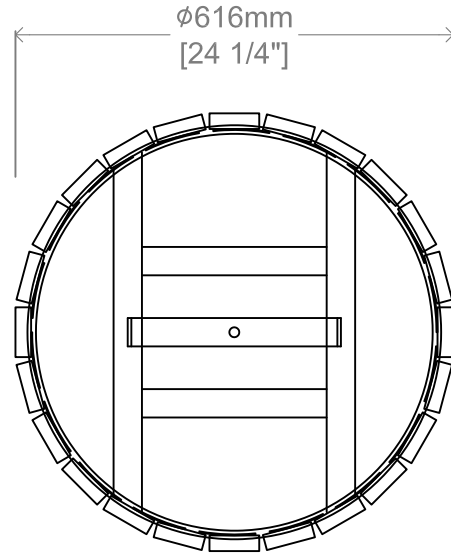


Front View



Top View

Diameter: 24 1/4" / 616 mm Height: 27 1/2" / 700 mm Weight: 77.2 lbs. / 35 kg

Materials:

Constructed with 100% recycled plastic wood and framed with solid steel.

Finish:

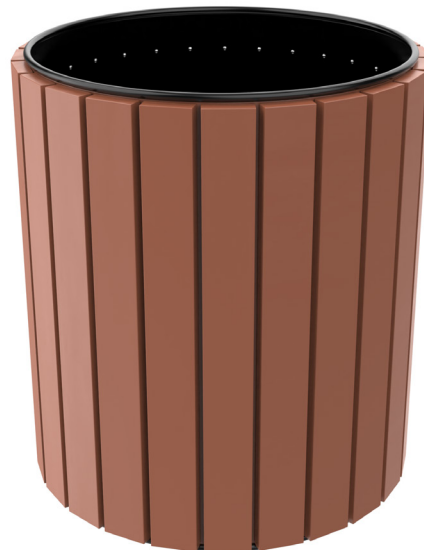
Steel components are electrocoated with anti-corrosion treatment and finished with UV resistant Canaan 5 Steps Powder Coating electrostatically.

Installation:

Free standing or surface mount: holes are pre-drilled in each foot for securing to base.

Options:

- Perforation patterns
- Powdercoat color
- Recycled Plastic Lumber color
- Custom Size



Proprietary and confidential

All the information contained in this drawing is the property of Canaan Inc. Reproduction of the drawing in whole or in part is prohibited without the written consent of Canaan Inc. Copyright © 2016 Canaan Inc. All rights reserved.

Unless otherwise specified

All measurements are in mm; all measurements are also preliminary and may vary from final plans. We reserve the right to improve, alter or discontinue specifications without notice.

TF: 1-877-305-6638
Fax: 1-866-806-2355
Email: info@canaansf.com
www.canaansitefurnishings.com