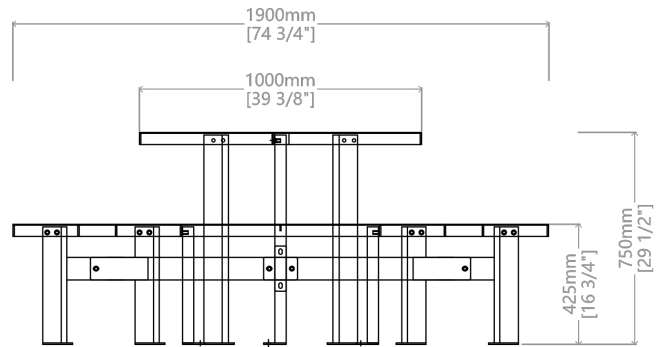


Top View



Side View

Total Length: 74 3/4" / 1900 mm Weight: 305.36 lbs. / 138.8 kg

Table Diameter: 39 3/8" / 1000 mm Table Height: 29 1/2" / 750 mm

Seat Length: 46" / 1170 mm Seat Width: 11 3/4" / 300 mm Seat Height: 16 3/4" / 425 mm

Materials:

Constructed with galvanized steel.

Finish:

Steel components are electrocoated with anti-corrosion treatment and finished with UV resistant Canaan 5 Steps Powder Coating electrostatically.

Installation:

Surface mounted: holes are pre-drilled on each foot for securing to base.

Options:

- Perforation patterns
- Backrest
- Powdercoat color
- Umbrella
- Wheelchair accessibility



Proprietary and confidential

All the information contained in this drawing is the property of Canaan Inc. Reproduction of the drawing in whole or in part is prohibited without the written consent of Canaan Inc. Copyright © 2016 Canaan Inc. All rights reserved.

Unless otherwise specified

All measurements are in mm; all measurements are also preliminary and may vary from final plans. We reserve the right to improve, alter or discontinue specifications without notice.

TF: 1-877-305-6638
 Fax: 1-866-806-2355
 Email: info@canaansf.com
 www.canaansitefurnishings.com