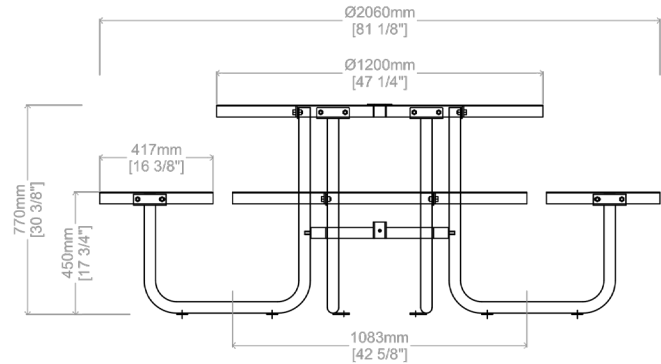


Top View



Side View

Total Length: 81 1/8" / 2060 mm Weight: 273.4 lbs. / 124 kg

Table Diameter: 47 1/4" / 1200 mm Table Height: 30 3/8" / 770 mm

Seat Length: 42 5/8" / 1083 mm Seat Width: 12 5/8" / 320 mm Seat Height: 17 3/4" / 450 mm

### Materials:

Constructed with galvanized steel.

### Finish:

Steel components are electrocoated with anti-corrosion treatment and finished with UV resistant Canaan 5 Steps Powder Coating electrostatically.

### Installation:

Surface mounted: holes are pre-drilled on each foot for securing to base.

### Options:

- Perforation patterns
- Powdercoat color
- Wheelchair accessibility
- Backrest
- Umbrella



#### Proprietary and confidential

All the information contained in this drawing is the property of Canaan Inc. Reproduction of the drawing in whole or in part is prohibited without the written consent of Canaan Inc. Copyright © 2016 Canaan Inc. All rights reserved.

#### Unless otherwise specified

All measurements are in mm; all measurements are also preliminary and may vary from final plans. We reserve the right to improve, alter or discontinue specifications without notice.

TF: 1-877-305-6638  
 Fax: 1-866-806-2355  
 Email: info@canaansf.com  
 www.canaansitefurnishings.com