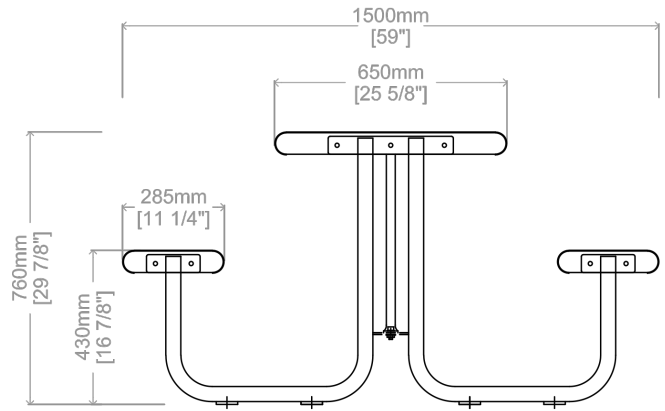




Top View



Side View

Table Length: 72" / 1830 mm Table Width: 25 5/8" / 650 mm Table Height: 29 7/8" / 760 mm
 Seat Length: 72" / 1830 mm Seat Width: 11 1/4" / 285 mm Seat Height: 16 7/8" / 430 mm
 Weight: 198.4 lbs. / 90 kg

Materials:

Constructed with galvanized steel.

Finish:

Steel components are electrocoated with anti-corrosion treatment and finished with UV resistant Canaan 5 Steps Powder Coating electrostatically.

Installation:

Surface mounted: holes are pre-drilled on each foot for securing to base.

Options:

- Perforation patterns
- Powdercoat color
- Wheelchair accessibility
- Backrest
- Umbrella



Proprietary and confidential

All the information contained in this drawing is the property of Canaan Inc. Reproduction of the drawing in whole or in part is prohibited without the written consent of Canaan Inc. Copyright © 2016 Canaan Inc. All rights reserved.

Unless otherwise specified

All measurements are in mm; all measurements are also preliminary and may vary from final plans. We reserve the right to improve, alter or discontinue specifications without notice.

TF: 1-877-305-6638
 Fax: 1-866-806-2355
 Email: info@canaansf.com
 www.canaansitefurnishings.com