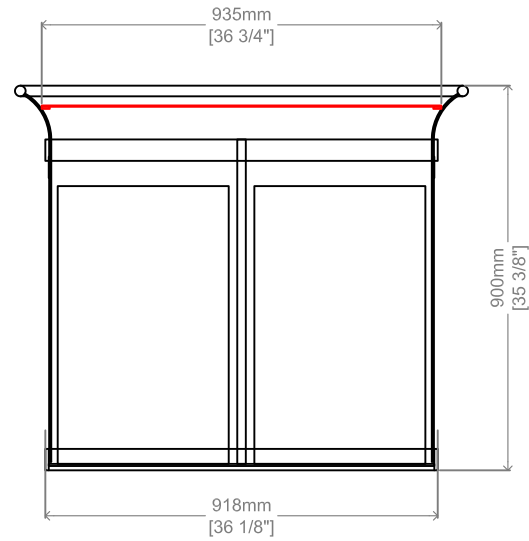


Top View



Side View

Capacity: D400 x H650 = 20 Gal x 2

Length: 41 3/4" / 1060 mm Width: 23 5/8" / 600 mm Height: 35 3/8" / 900 mm

Materials:

Constructed with Stainless Steel

Finish:

Steel components are electrocoated with anti-corrosion treatment and finished with UV resistant Canaan 5 Steps Powder Coating electrostatically.

Installation:

Free standing or surface mount: holes are pre-drilled in each foot for securing to base.

Options:

- Push flap
- Custom label
- Custom liner
- Custom openings
- Additional bin
- Powdercoat color



Proprietary and confidential

All the information contained in this drawing is the property of Canaan Inc. Reproduction of the drawing in whole or in part is prohibited without the written consent of Canaan Inc. Copyright © 2016 Canaan Inc. All rights reserved.

Unless otherwise specified

All measurements are in mm; all measurements are also preliminary and may vary from final plans. We reserve the right to improve, alter or discontinue specifications without notice.

TF: 1-877-305-6638
 Fax: 1-866-806-2355
 Email: info@canaansf.com
 www.canaansitefurnishings.com